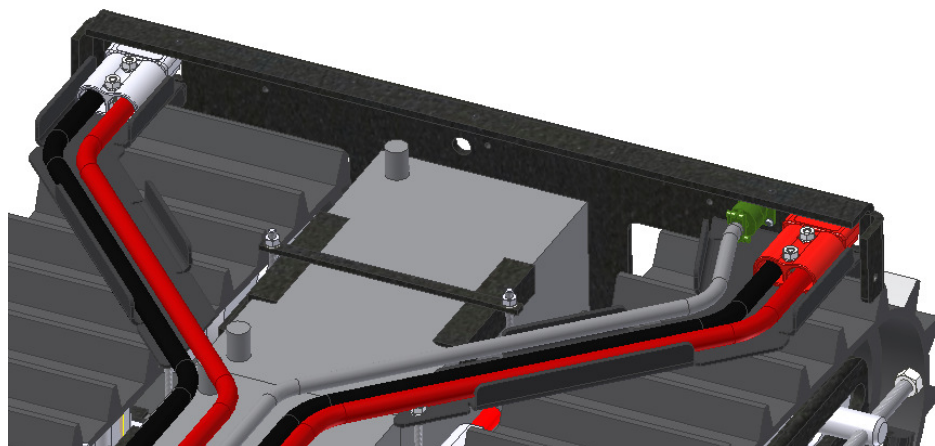
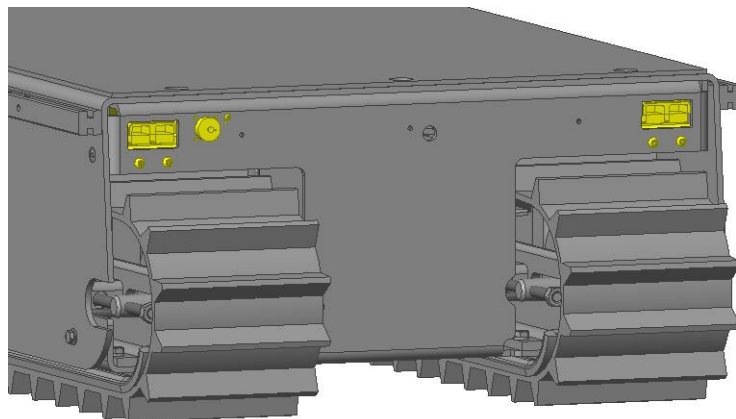


# ACCESSORIES ELECTRIC

## QUICK CONNECT

### TECHNICAL SPECIFICATIONS



#### PHYSICAL CHARACTERISTICS

Matériel Aluminium

#### ELECTRICAL CHARACTERISTICS

Entrée (batteries)	24 VDC (Grey Anderson connector )
Sortie (accessoire)	- 24 VDC (Red Anderson connector)
	- Control (Green circular connector)

#### COMPATIBLE WITH :

- Track-0 75
- Twin-Track 47
- Twin-Track 66
- Heavy-Duty