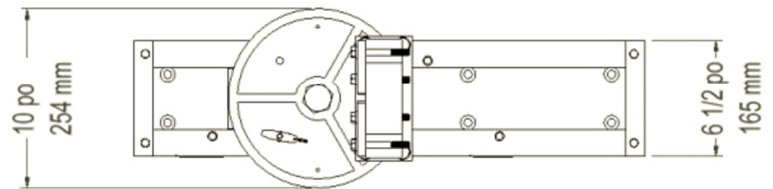
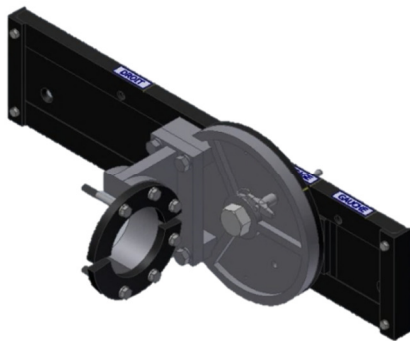
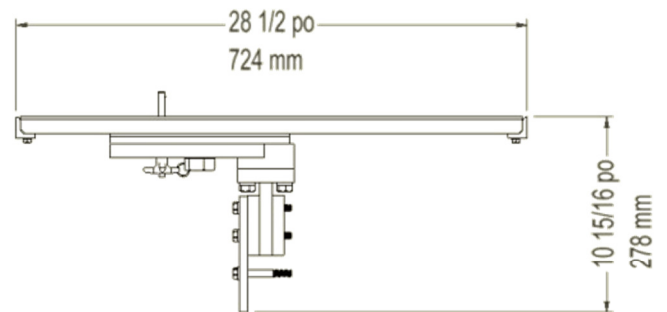
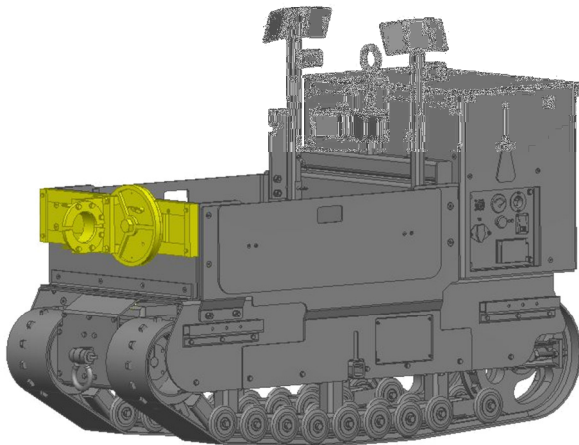


WINCH SUPPORT (CAPSTAN) TECHNICAL SPECIFICATIONS



PHYSICAL CHARACTERISTICS

Material	Steel and aluminum	
Length	28 1/2 in	724 mm
Width	10 in	254 mm
Height	10 15/16 in	278 mm
Weight	73 lb	33 kg
Maximum winch capacity	1000 lb	454 kg

COMPATIBLE WITH :

- Cross-Country Utility

The information contained in this document is subject to change without notice.